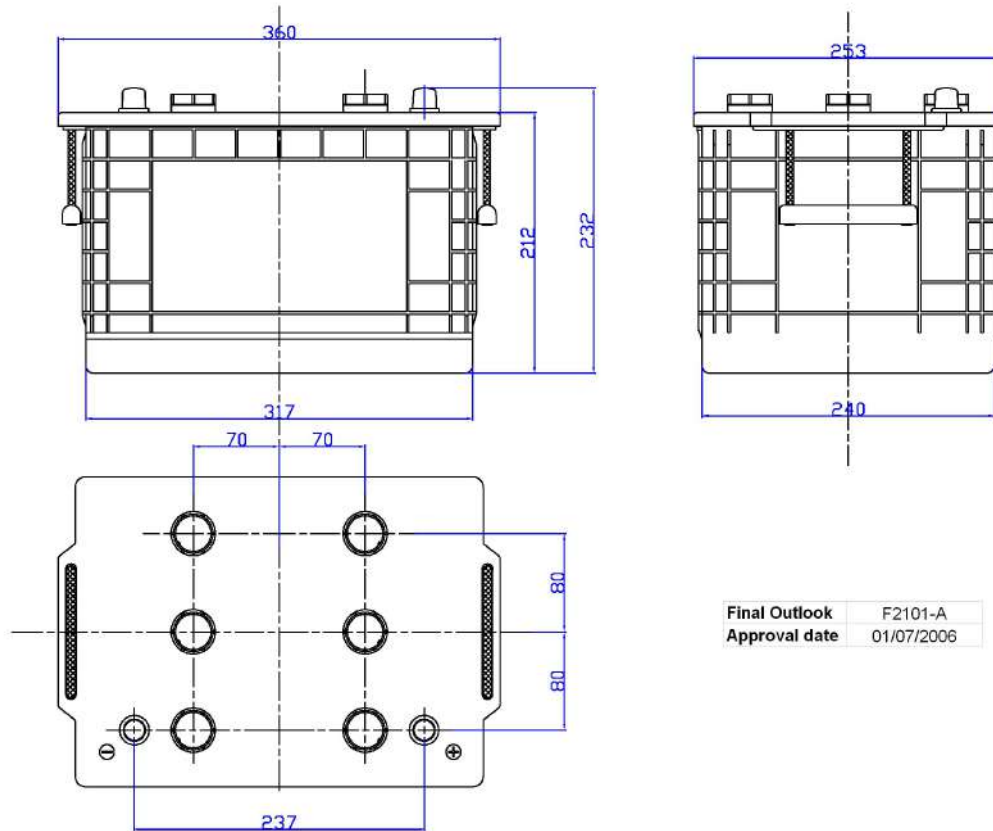


Central Article Code: F21100W01-A
 Local Code: TG145A

Created: 06/09/2005
 Modified: 04/03/2014



Final Outlook	F2101-A
Approval date	01/07/2006

PERFORMANCES

Voltage (V):	12 V	
C20 (Ah):	145.0	20 h
Cranking (A):	1000	EN
Charge:	WET	
Technology:	Vented/Flooded	
Grid:	Hybrid	
Vibration:	V2 (30Hz+/-2Hz/6g/2h)	
Endurance:	E2 (90 cycles@50%)	

STD. DIMENSIONS

Length (mm ± 2):	360
Width (mm ± 2):	253
Height (mm ± 2):	240
Total Weight (kg ± 5%):	38.10

All figures show nominal values. Tolerances are according to EN50342 and applicable European Regulations.

CONTAINER

Type:	F21	BLACK
Hold Down:	B0	
H.D. Adapter:	No	

COVER

Type:	Flat/Screw	BLACK
Polarity:	ETN 6	
Terminals:	EN taper post	
Terminal Adapter:	No	
SOCI:	No	
Ventilation:	Independent	
Filter:	No	
Lateral Plug:	No	

PLUGS

Type:	6 x M27	BLACK
-------	---------	-------

HANDLES

Type:	2 x Rope (Rigid holder)	BLACK
-------	-------------------------	-------

OTHERS

Degassing Tube:	No
-----------------	----