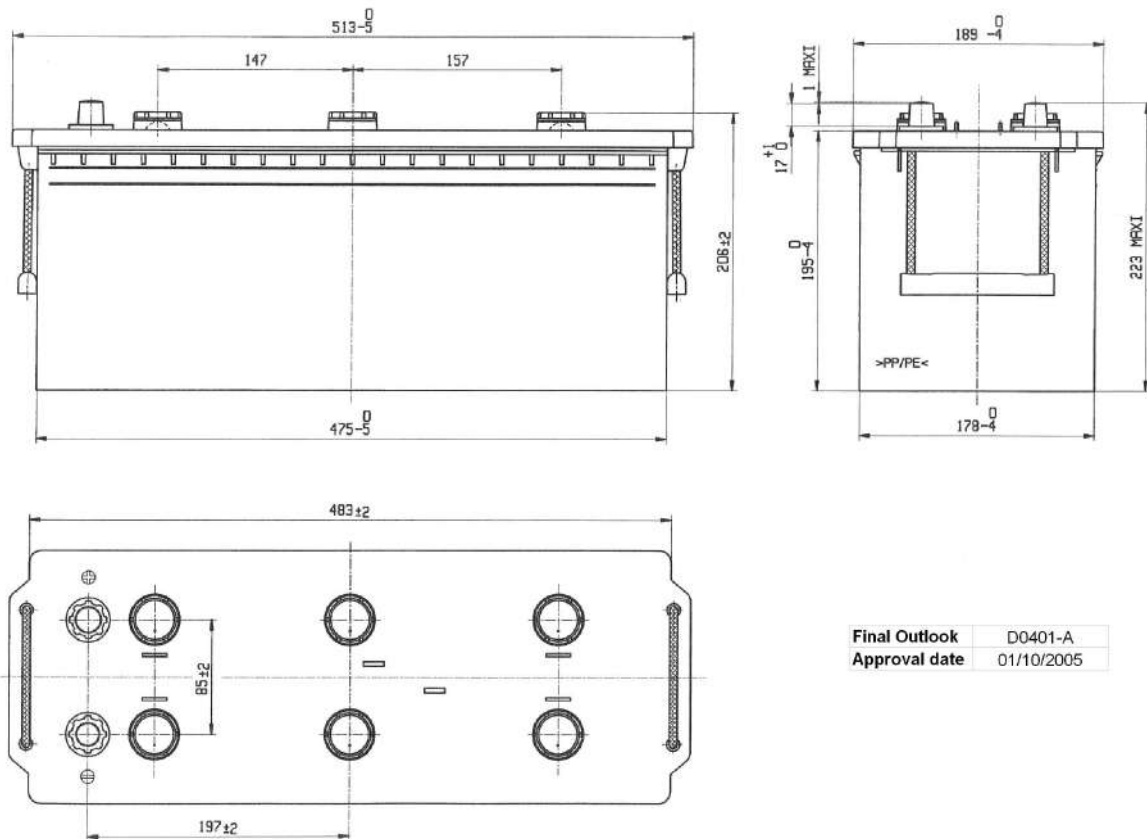


Central Article Code: D04068C01-A
 Local Code: TG1203

Created: 16/10/2012
 Modified: 31/07/2020



PERFORMANCES		CONTAINER	
Voltage (V):	12 V	Type:	D04 BLACK
C20 (Ah):	120.0 20 h	Hold Down:	B0
Cranking (A):	680 EN	H.D. Adapter:	No
Charge:	WET	COVER	
Technology:	Vented/Flooded	Type:	Flat/Screw BLACK
Grid:	Ca/Ca	Polarity:	ETN 3
Vibration:	V2 (30Hz+/-2Hz/6g/2h)	Terminals:	EN taper post
Endurance:	E2 (90 cycles@50%)	Terminal Adapter:	No
		SOCI:	No
		Ventilation:	Independent
		Filter:	No
		Lateral Plug:	No
STD. DIMENSIONS		PLUGS	
Length (mm ± 2):	513	Type:	6 x M27 BLACK
Width (mm ± 2):	189	HANDLES	
Height (mm ± 2):	223	Type:	2 x Rope (Rigid holder) BLACK
Total Weight (kg ± 5%):	32.50	OTHERS	
		Degassing Tube:	No

All figures show nominal values. Tolerances are according to EN50342 and applicable European Regulations.