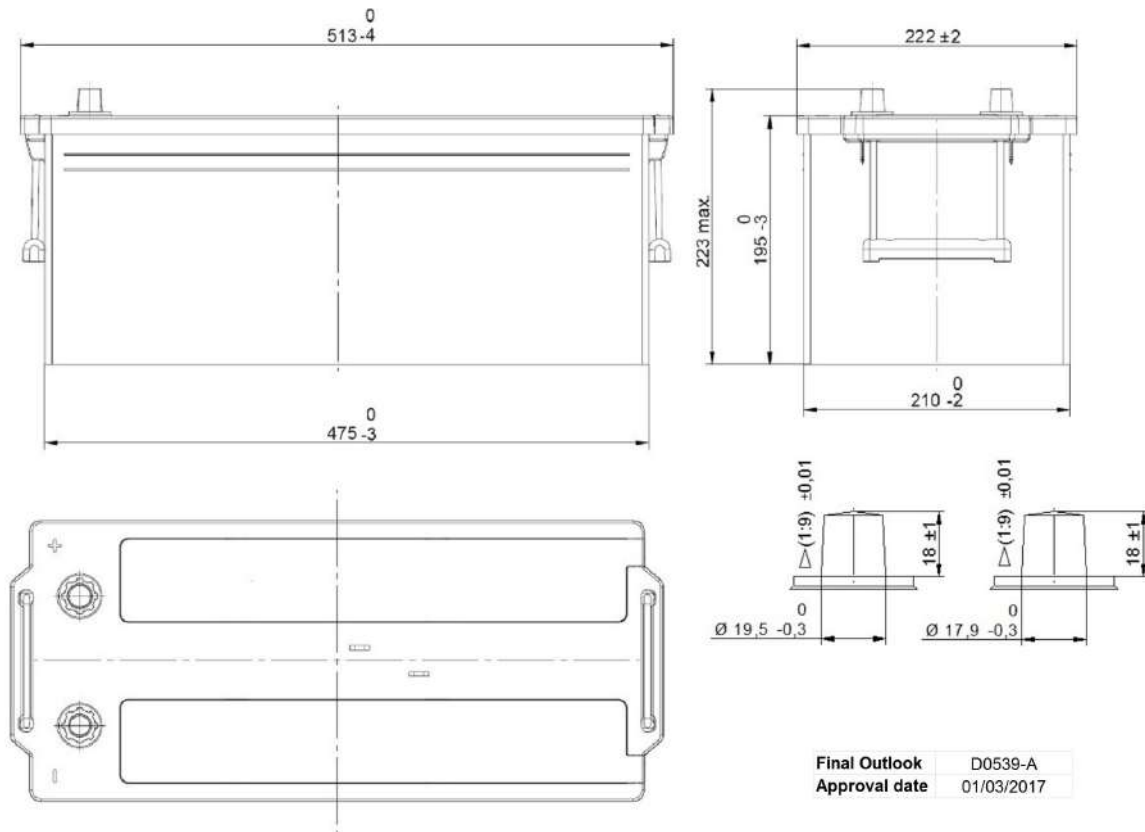


Central Article Code: D05111C39-A
 Local Code: TE1853

Created: 13/07/2016
 Modified: 01/05/2021



Final Outlook D0539-A
 Approval date 01/03/2017

PERFORMANCES

Voltage (V):	12 V	
C20 (Ah):	185.0	20 h
Cranking (A):	1100	EN
Charge:	WET	
Technology:	Vented/Flooded	
Grid:	Ca/Ca	
Vibration:	V4 (3 axis) ref. EN-2015	
Endurance:	E2 (150c@50%) ref. EN-2015	

STD. DIMENSIONS

Length (mm ± 2):	513
Width (mm ± 2):	223
Height (mm ± 2):	223
Total Weight (kg ± 5%):	46.40

All figures show nominal values. Tolerances are according to EN50342 and applicable European Regulations.

CONTAINER

Type:	D05	GREY MEDIUM
Hold Down:	B0	
H.D. Adapter:	No	

COVER

Type:	Flat/Press	GREY MEDIUM
Polarity:	ETN 3	
Terminals:	EN taper post	
Terminal Adapter:	No	
SOCI:	No	
Ventilation:	Central	
Filter:	1 Filter per Vent	
Lateral Plug:	No	

PLUGS

Type:	2 x VCL Vent	GREY MEDIUM
-------	--------------	-------------

HANDLES

Type:	2 x Rope (Rigid holder)	BLACK
-------	-------------------------	-------

OTHERS

Degassing Tube:	No
-----------------	----