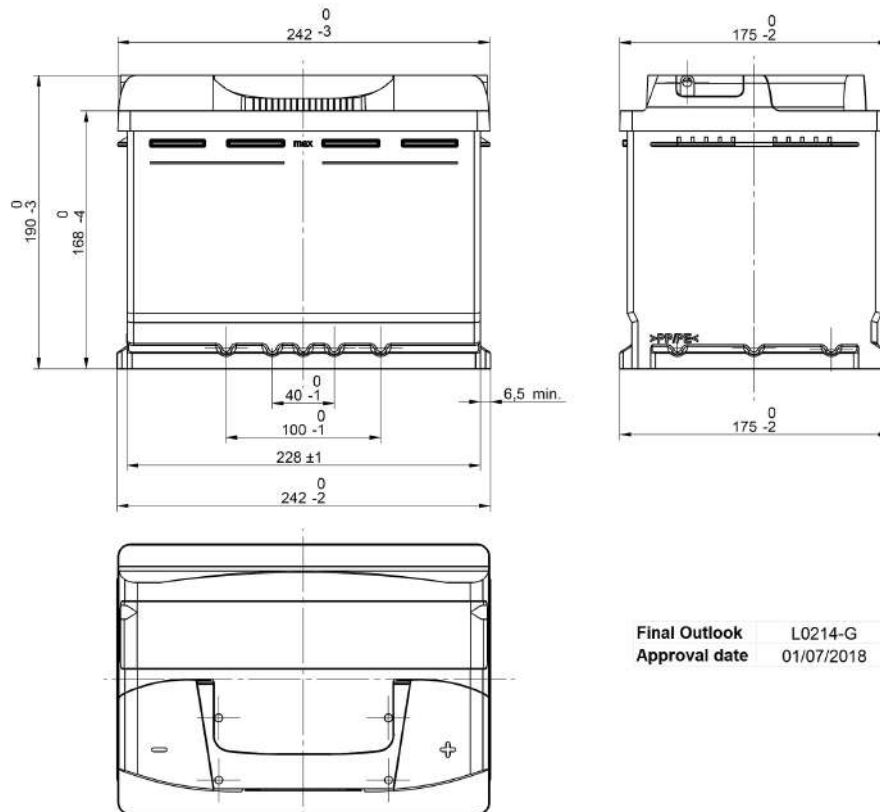


Central Article Code: L02054C14-G  
 Local Code: TB620

Created: 10/05/2018  
 Modified: 31/07/2020



PERFORMANCES		CONTAINER			
Voltage (V):	12 V	Type:	L02	BLACK	
C20 (Ah):	62.0      20 h	Hold Down:	B13		
Cranking (A):	540      EN	H.D. Adapter:	No		
Charge:	WET	COVER			
Technology:	Vented/Flooded	Type:	NPR	BLACK	
Grid:	Ca/Ca	Polarity:	ETN 0		
Vibration:	V1 (30Hz+/-2Hz/3g/2h)	Terminals:	EN taper post		
Endurance:	E1 (180 cycles@25%)	Terminal Adapter:	No		
STD. DIMENSIONS		SOCI:	No		
Length (mm ± 2):	242	Ventilation:	Central		
Width (mm ± 2):	175	Filter:	2 Filters		
Height (mm ± 2):	190	Lateral Plug:	Standard    Right side    BLACK shape		
Total Weight (kg ± 5%):	13.90	PLUGS			
		Type:	1 x NPR (Manifold)	BLACK	
		HANDLES			
		Type:	1 x NPR (Standard)	BLACK	
		OTHERS			
		Degassing Tube:	No		

All figures show nominal values. Tolerances are according to EN50342 and applicable European Regulations.