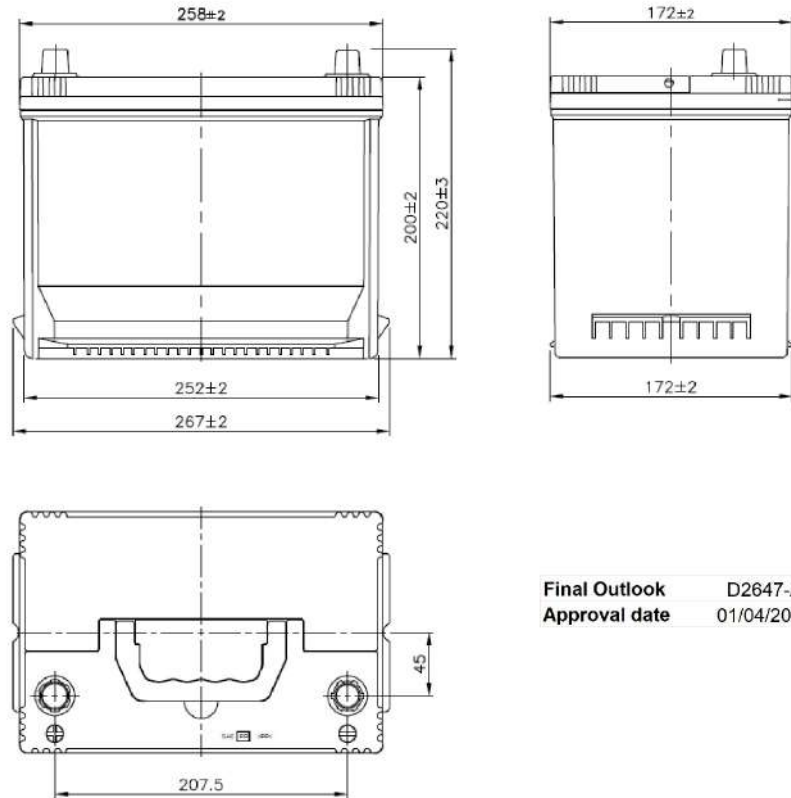


Central Article Code: D26063C47-A
 Local Code: TA755

Created: 24/02/2020
 Modified: 18/12/2020



PERFORMANCES		CONTAINER	
Voltage (V):	12 V	Type:	D26 BLACK
C20 (Ah):	75.0 20 h	Hold Down:	Korean B1+B6
Cranking (A):	630 EN	H.D. Adapter:	No
Charge:	WET	COVER	
Technology:	Vented/Flooded	Type:	Double with Integrat BLACK
Grid:	Ca/Ca	Polarity:	ETN 1
Vibration:	V1 (30Hz+/-2Hz/3g/2h)	Terminals:	EN taper post
Endurance:	E1 (180 cycles@25%)	Terminal Adapter:	No
		SOCI:	No
		Ventilation:	Central
		Filter:	2 Filters
		Lateral Plug:	No
STD. DIMENSIONS		PLUGS	
Length (mm ± 2):	270	Type:	1 x Vent Sealed (JIS) BLACK
Width (mm ± 2):	173	HANDLES	
Height (mm ± 2):	222	Type:	1 x Integrated BLACK
Total Weight (kg ± 5%):	18.60	OTHERS	
		Degassing Tube:	No

All figures show nominal values. Tolerances are according to EN50342 and applicable European Regulations.