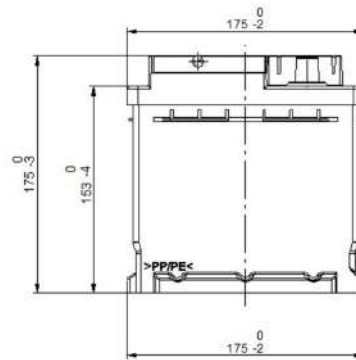
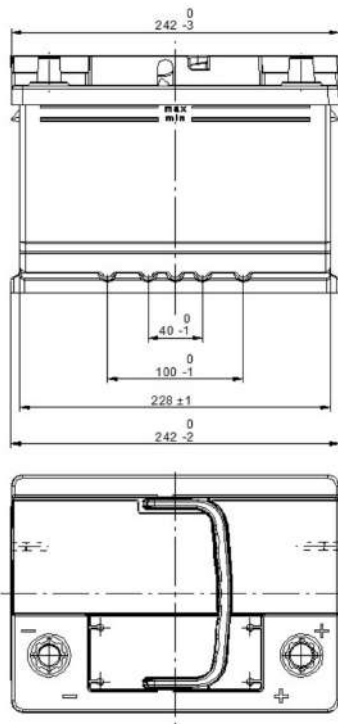


Central Article Code: LB2059C12-C
 Local Code: TA612

Created: 24/02/2020
 Modified: 22/01/2021



Final Outlook LB212-C
 Approval date 01/11/2019

PERFORMANCES

Voltage (V):	12 V	
C20 (Ah):	61.0	20 h
Cranking (A):	600	EN
Charge:	WET	
Technology:	Vented/Flooded	
Grid:	Ca/Ca	
Vibration:	V1 (30Hz+/-2Hz/3g/2h)	
Endurance:	E2 (90 cycles@50%)	

STD. DIMENSIONS

Length (mm ± 2):	242
Width (mm ± 2):	175
Height (mm ± 2):	175
Total Weight (kg ± 5%):	13.90

All figures show nominal values. Tolerances are according to EN50342 and applicable European Regulations.

CONTAINER

Type:	LB2	BLACK
Hold Down:	B13	
H.D. Adapter:	No	

COVER

Type:	Double with Integrat	BLACK
Polarity:	ETN 0	
Terminals:	EN taper post	
Terminal Adapter:	No	
SOCI:	No	
Ventilation:	Central	
Filter:	2 Filters	
Lateral Plug:	Standard	Left side BLACK shape

PLUGS

Type:	1 x Vent Sealed PSL-OE ha	BLACK
-------	---------------------------	-------

HANDLES

Type:	1 x PSL OE Integrated	BLACK
-------	-----------------------	-------

OTHERS

Degassing Tube:	No
-----------------	----