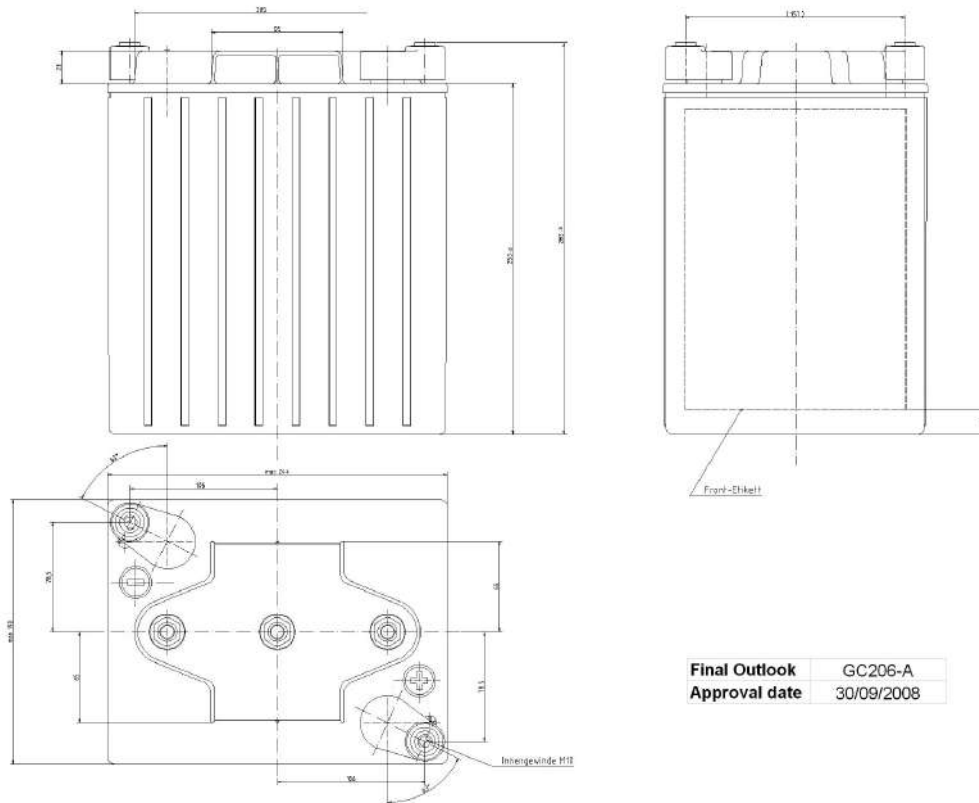


Central Article Code: GC2095G06-A
 Local Code: ES1100-6

Created: 12/09/2008
 Modified: 20/03/2019



Final Outlook	GC206-A
Approval date	30/09/2008

PERFORMANCES		CONTAINER	
Voltage (V):	6 V	Type:	GC2 BLACK
C20 (Ah):	200.0 20 h	Hold Down:	B0
Cranking (A):	0 EN	H.D. Adapter:	No
Charge:	CHARGED	COVER	
Technology:	GEL	Type:	DIN BLACK
Grid:	Ca/Ca	Polarity:	ETN 0
Vibration:	V3 (30Hz+/-2Hz/6g/20h)	Terminals:	M10 thread pos.and neg.
Endurance:	400 cycles@100%	Terminal Adapter:	No
		SOCI:	No
		Ventilation:	Independent
		Filter:	No
		Lateral Plug:	No
STD. DIMENSIONS		PLUGS	
Length (mm ± 2):	244	Type:	3 x M18 Valve GREY MEDIUM
Width (mm ± 2):	190	HANDLES	
Height (mm ± 2):	275	Type:	None
Total Weight (kg ± 5%):	30.50	OTHERS	
		Degassing Tube:	No

All figures show nominal values. Tolerances are according to EN50342 and applicable European Regulations.