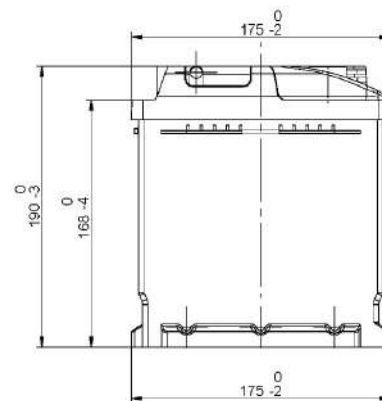
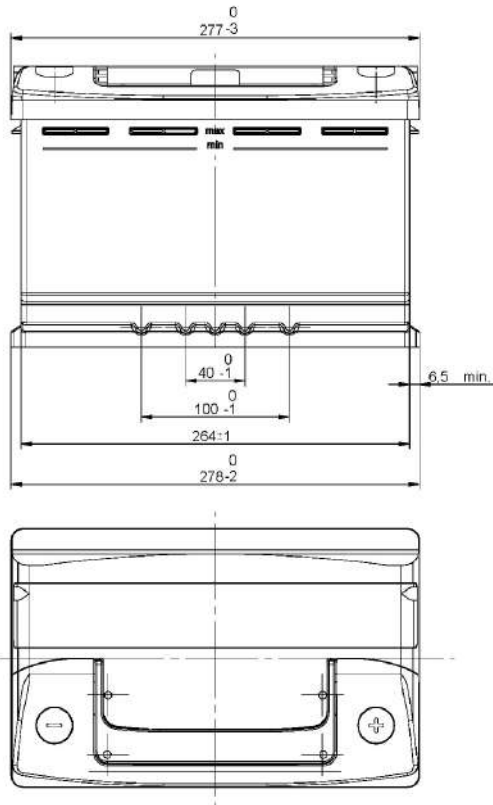


Central Article Code: L03068C14-B

Created: 22/09/2005

Local Code: EN750

Modified: 31/07/2020



| | |
|---------------|------------|
| Final Outlook | L0314-B |
| Approval date | 01/04/2008 |

PERFORMANCES

| | | |
|---------------|-----------------------|------|
| Voltage (V): | 12 V | |
| C20 (Ah): | 74.0 | 20 h |
| Cranking (A): | 680 | EN |
| Charge: | WET | |
| Technology: | Vented/Flooded | |
| Grid: | Ca/Ca | |
| Vibration: | V1 (30Hz+/-2Hz/3g/2h) | |
| Endurance: | E1 (180 cycles@25%) | |

STD. DIMENSIONS

| | |
|-------------------------|-------|
| Length (mm ± 2): | 278 |
| Width (mm ± 2): | 175 |
| Height (mm ± 2): | 190 |
| Total Weight (kg ± 5%): | 16.70 |

All figures show nominal values. Tolerances are according to EN50342 and applicable European Regulations.

CONTAINER

| | | |
|---------------|-----|-------|
| Type: | L03 | BLACK |
| Hold Down: | B13 | |
| H.D. Adapter: | No | |

COVER

| | | |
|-------------------|----------------|------------------|
| Type: | NPR | BLACK |
| Polarity: | ETN 0 | |
| Terminals: | EN taper post | |
| Terminal Adapter: | No | |
| SOCI: | No | |
| Ventilation: | Central | |
| Filter: | 2 Filters | |
| Lateral Plug: | Standard shape | Right side BLACK |

PLUGS

| | | |
|-------|--------------------|-------|
| Type: | 1 x NPR (Manifold) | BLACK |
|-------|--------------------|-------|

HANDLES

| | | |
|-------|----------------|-------|
| Type: | 1 x NPR (Thin) | BLACK |
|-------|----------------|-------|

OTHERS

| | |
|-----------------|----|
| Degassing Tube: | No |
|-----------------|----|