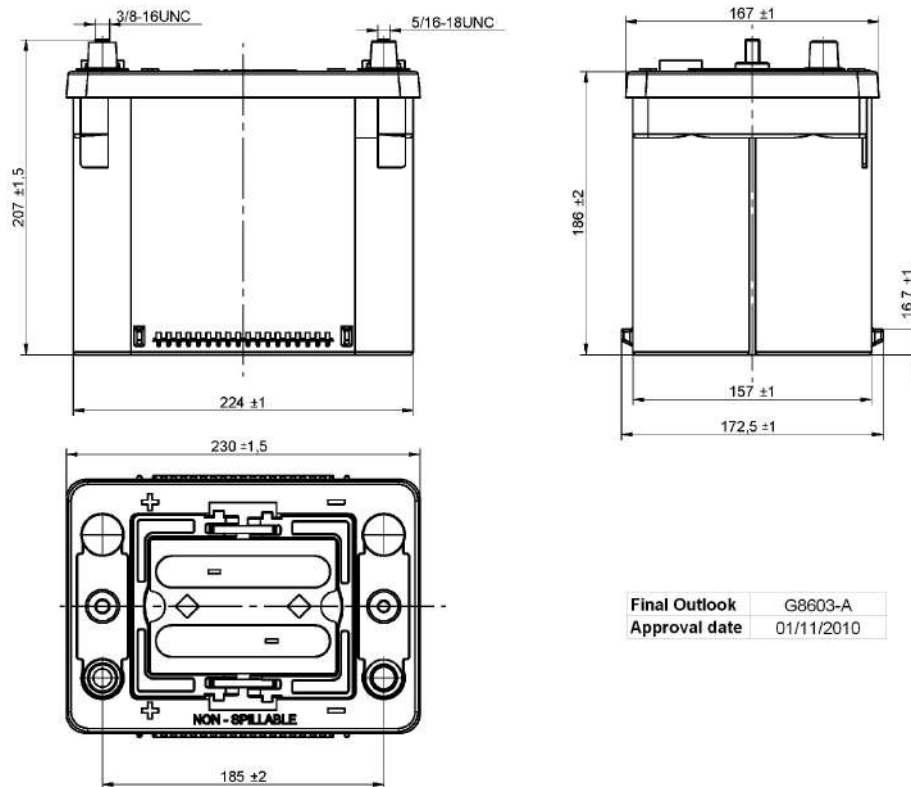


Central Article Code: G86070M03-A

Created: 11/06/2010

Local Code: EM900

Modified: 28/10/2020



Final Outlook	G8603-A
Approval date	01/11/2010

PERFORMANCES

Voltage (V):	12 V	
C20 (Ah):	42.0	20 h
Cranking (A):	700	EN
Charge:	CHARGED	
Technology:	Orbital	
Grid:	Pb-Sn	

STD. DIMENSIONS

Length (mm ± 2):	230
Width (mm ± 2):	173
Height (mm ± 2):	206
Total Weight (kg ± 5%):	15.80

All figures show nominal values. Tolerances are according to EN50342 and applicable European Regulations.

CONTAINER

Type:	G86	BLACK
Hold Down:	B7	
H.D. Adapter:	No	

COVER

Type:	Maxxima/Orbital	BLACK
Polarity:	ETN 1	
Terminals:	SAE M 3/8"- 5/16" taper&stud	
Terminal Adapter:	No	
SOCI:	No	
Ventilation:	Central	
Filter:	2 Filters	
Lateral Plug:	No	

PLUGS

Type:	6 x Valve+Cover	BLACK
-------	-----------------	-------

HANDLES

Type:	2 x Integrated	BLACK
-------	----------------	-------

OTHERS

Degassing Tube:	No
-----------------	----

3/8-5/16 nuts in plastic bag