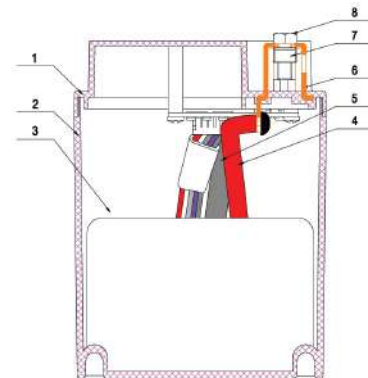
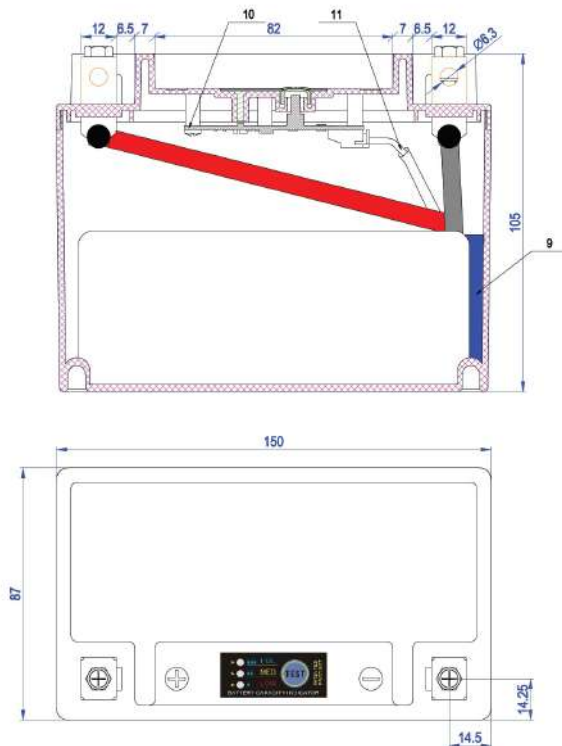


Central Article Code: C54018L03-A  
 Local Code: ELTX9

Created: 29/09/2016  
 Modified: 29/09/2016



Final Outlook C5403-A  
 Approval date 15/11/2016

## PERFORMANCES

Voltage (V):	12 V	
C20 (Ah):	3.0	10 h
Cranking (A):	180	25° test
Charge:	CHARGED	
Technology:	Li-ion	
Grid:	LiFePO4	
Vibration:	3 axis acc. UN38.3 req.	
Endurance:	2000c at 50% DoD	

## STD. DIMENSIONS

Length (mm ± 2):	150
Width (mm ± 2):	90
Height (mm ± 2):	105
Total Weight (kg ± 5%):	0.70

All figures show nominal values. Tolerances are according to EN50342 and applicable European Regulations.

## CONTAINER

Type:	C54	BLACK
Hold Down:	B0	
H.D. Adapter:	No	

## COVER

Type:	Motorbike (central ve	ORANGE (Li-ion
Polarity:	ETN 1	
Terminals:	M12	
Terminal Adapter:	No	
SOCI:	Digital SOCI	
Ventilation:	Central	
Filter:	No	
Lateral Plug:	No	

## PLUGS

Type:	1 x Not defined	NOT SIGNIFICANT
-------	-----------------	-----------------

## HANDLES

Type:	None
-------	------

## OTHERS

Degassing Tube:	No
-----------------	----