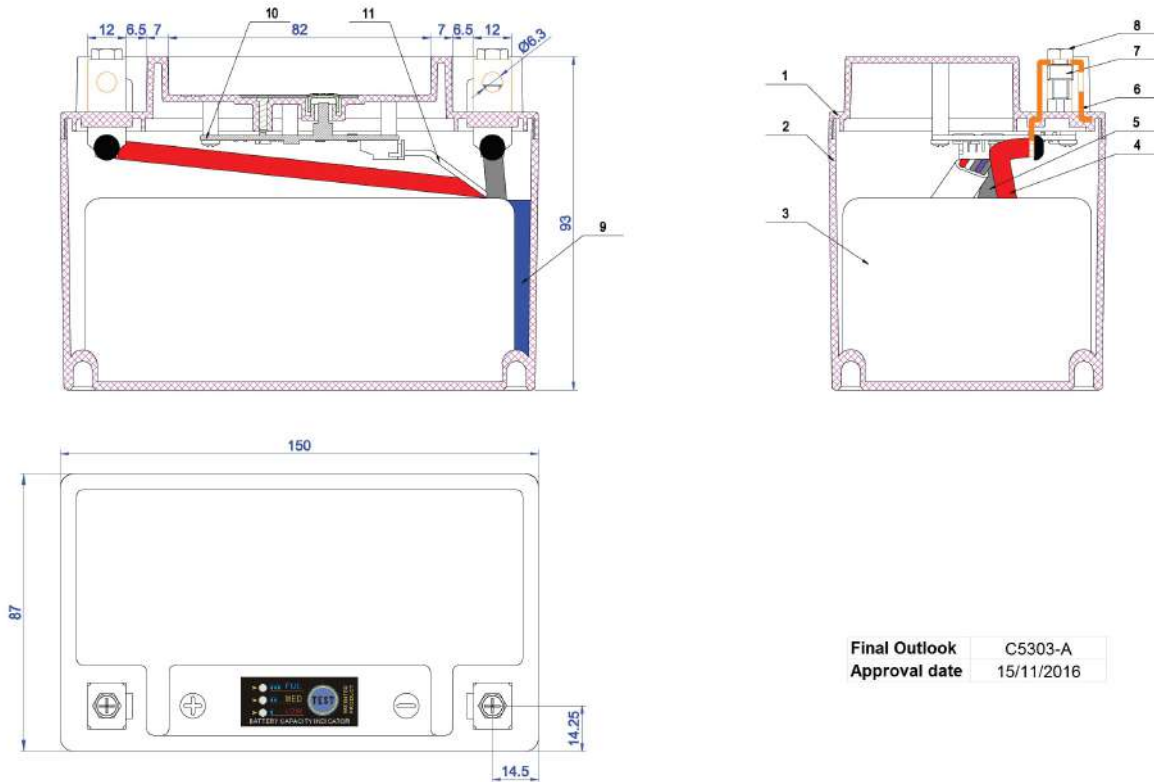


Central Article Code: C53024L03-A
 Local Code: ELTX14H

Created: 29/09/2016
 Modified: 13/12/2016



Final Outlook C5303-A
 Approval date 15/11/2016

PERFORMANCES		CONTAINER	
Voltage (V):	12 V	Type:	C53 BLACK
C20 (Ah):	4.0 10 h	Hold Down:	B0
Cranking (A):	240 25° test	H.D. Adapter:	No
Charge:	CHARGED	COVER	
Technology:	Li-ion	Type:	Motorbike (central ve ORANGE (Li-ion
Grid:	LiFePO4	Polarity:	ETN 1
Vibration:	3 axis acc. UN38.3 req.	Terminals:	M12
Endurance:	2000c at 50% DoD	Terminal Adapter:	No
STD. DIMENSIONS		SOCl:	Digital SOCl
Length (mm ± 2):	150	Ventilation:	Central
Width (mm ± 2):	90	Filter:	No
Height (mm ± 2):	95	Lateral Plug:	No
Total Weight (kg ± 5%):	0.90	PLUGS	
All figures show nominal values. Tolerances are according to EN50342 and applicable European Regulations.		Type:	1 x Not defined NOT SIGNIFICANT
		HANDLES	
		Type:	None
		OTHERS	
		Degassing Tube:	No