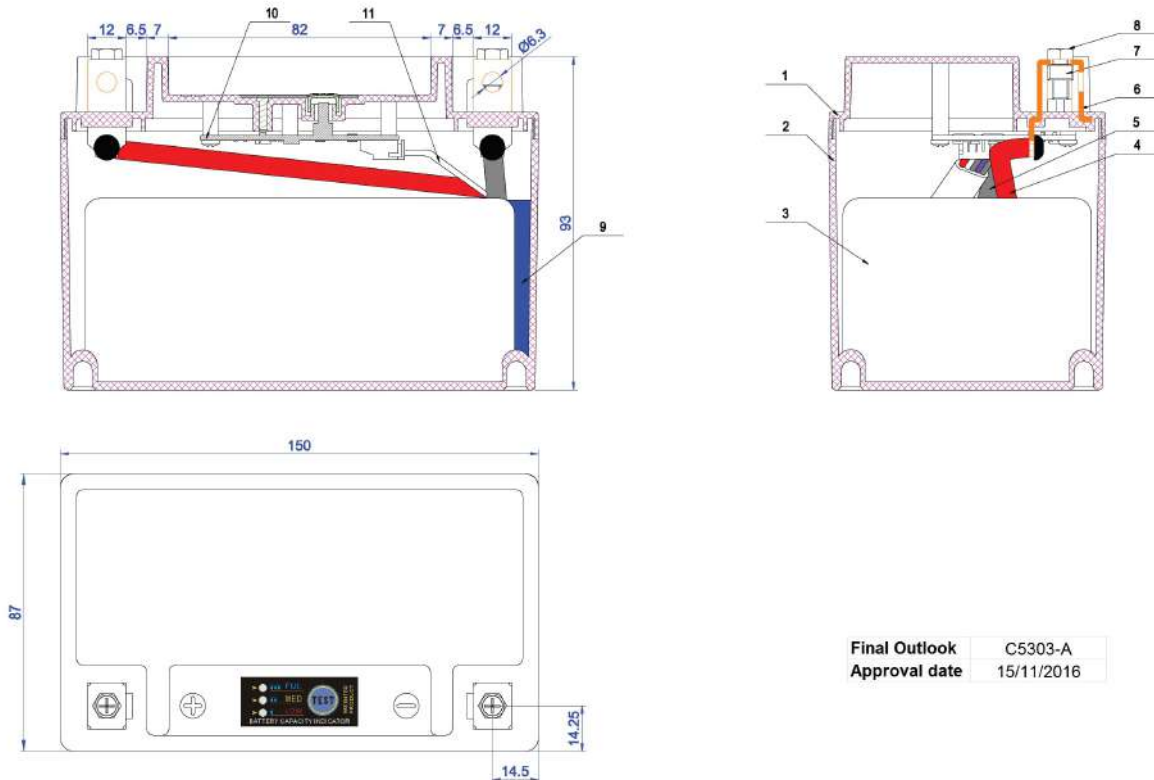


Central Article Code: C53021L03-A

Created: 29/09/2016

Local Code: ELTX12

Modified: 07/03/2017



Final Outlook	C5303-A
Approval date	15/11/2016

PERFORMANCES

Voltage (V):	12 V
C20 (Ah):	3.5 10 h
Cranking (A):	210 25° test
Charge:	CHARGED
Technology:	Li-ion
Grid:	LiFePO4
Vibration:	3 axis acc. UN38.3 req.
Endurance:	2000c at 50% DoD

STD. DIMENSIONS

Length (mm ± 2):	150
Width (mm ± 2):	90
Height (mm ± 2):	95
Total Weight (kg ± 5%):	0.80

All figures show nominal values. Tolerances are according to EN50342 and applicable European Regulations.

CONTAINER

Type:	C53	BLACK
Hold Down:	B0	
H.D. Adapter:	No	

COVER

Type:	Motorbike (central ve	ORANGE (Li-ion
Polarity:	ETN 1	
Terminals:	M12	
Terminal Adapter:	No	
SOCI:	Digital SOCI	
Ventilation:	Central	
Filter:	No	
Lateral Plug:	No	

PLUGS

Type:	1 x Not defined	NOT SIGNIFICANT
-------	-----------------	-----------------

HANDLES

Type:	None
-------	------

OTHERS

Degassing Tube:	No
-----------------	----