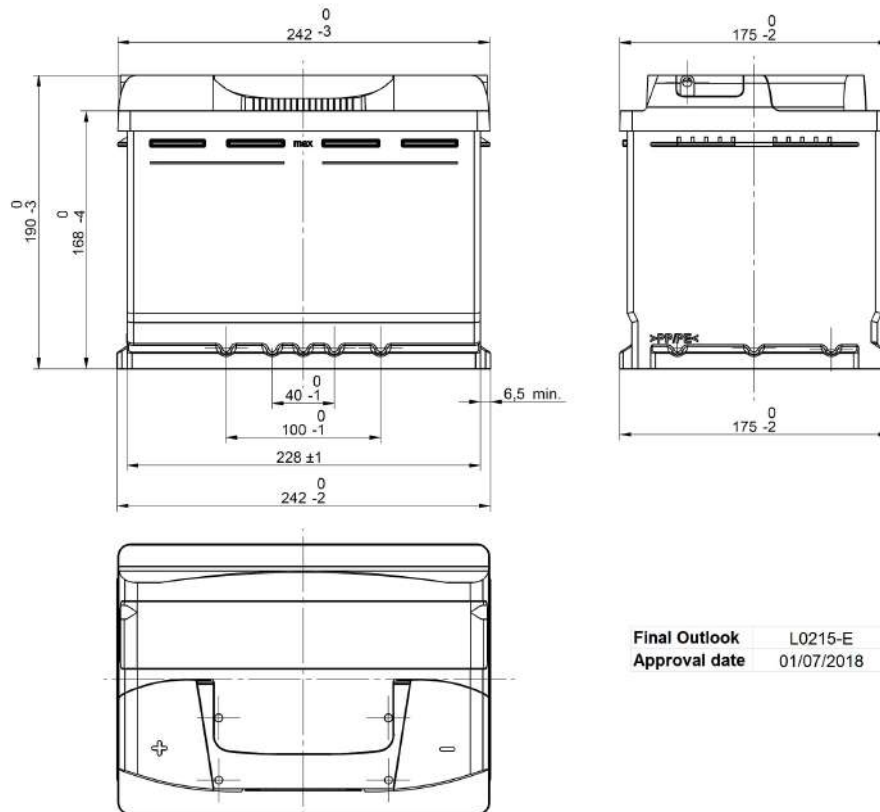


Central Article Code: L02054C15-E
 Local Code: EB621

Created: 10/05/2018
 Modified: 01/09/2021



PERFORMANCES		CONTAINER			
Voltage (V):	12 V	Type:	L02	BLACK	
C20 (Ah):	62.0 20 h	Hold Down:	B13		
Cranking (A):	540 EN	H.D. Adapter:	No		
Charge:	WET	COVER			
Technology:	Vented/Flooded	Type:	NPR	BLACK	
Grid:	Ca/Ca	Polarity:	ETN 1		
Vibration:	V1 (30Hz+/-2Hz/3g/2h)	Terminals:	EN taper post		
Endurance:	E1 (180 cycles@25%)	Terminal Adapter:	No		
		SOCI:	No		
		Ventilation:	Central		
		Filter:	2 Filters		
		Lateral Plug:	Standard shape	Right side	BLACK
STD. DIMENSIONS		PLUGS			
Length (mm ± 2):	242	Type:	1 x NPR (Manifold)	BLACK	
Width (mm ± 2):	175	HANDLES			
Height (mm ± 2):	190	Type:	1 x NPR (Standard)	BLACK	
Total Weight (kg ± 5%):	14.40	OTHERS			
All figures show nominal values. Tolerances are according to EN50342 and applicable European Regulations.		Degassing Tube:	No		