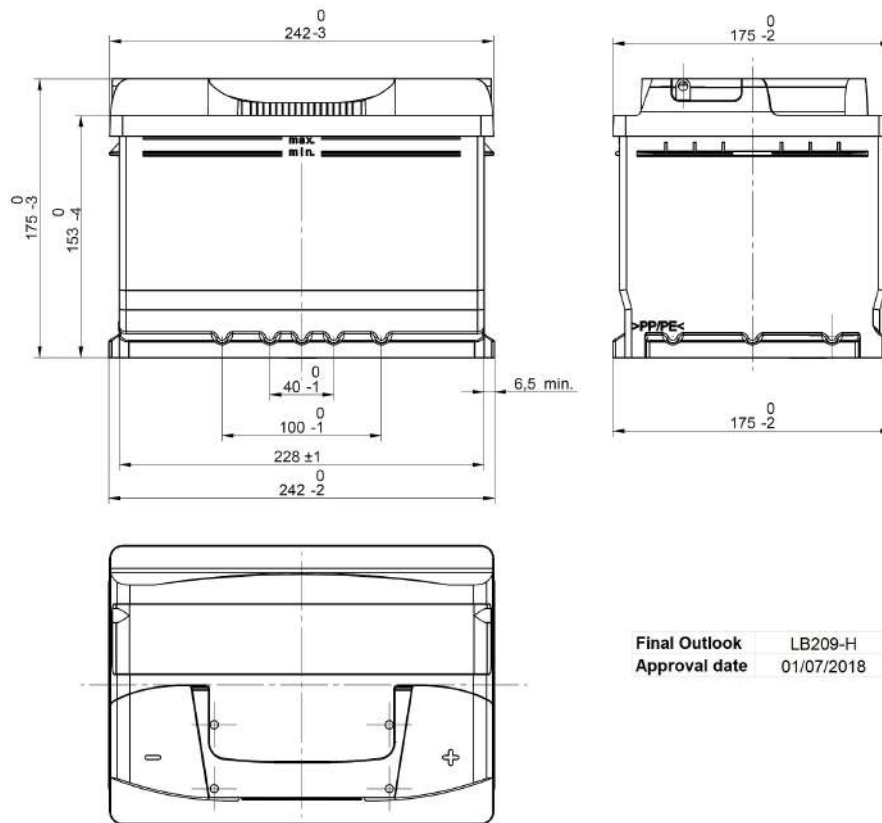


Central Article Code: LB2054C09-H  
 Local Code: EB602

Created: 10/05/2018  
 Modified: 31/07/2020



| PERFORMANCES  |                       | CONTAINER         |                    |            |       |
|---|-----------------------|-------------------|--------------------|------------|-------|
| Voltage (V):  | 12 V                  | Type:             | LB2                | BLACK      |       |
| C20 (Ah):   | 60.0      20 h        | Hold Down:        | B13                |            |       |
| Cranking (A):   | 540      EN           | H.D. Adapter:     | No                 |            |       |
| Charge:   | WET                   | COVER             |                    |            |       |
| Technology:   | Vented/Flooded        | Type:             | NPR                | BLACK      |       |
| Grid:   | Ca/Ca                 | Polarity:         | ETN 0              |            |       |
| Vibration:  | V1 (30Hz+/-2Hz/3g/2h) | Terminals:        | EN taper post      |            |       |
| Endurance:  | E1 (180 cycles@25%)   | Terminal Adapter: | No                 |            |       |
|   |                       | SOCI:             | No                 |            |       |
|   |                       | Ventilation:      | Central            |            |       |
|   |                       | Filter:           | 2 Filters          |            |       |
|   |                       | Lateral Plug:     | Standard shape     | Right side | BLACK |
| STD. DIMENSIONS   |                       | PLUGS             |                    |            |       |
| Length (mm ± 2):  | 242                   | Type:             | 1 x NPR (Manifold) | BLACK      |       |
| Width (mm ± 2):   | 175                   | HANDLES           |                    |            |       |
| Height (mm ± 2):  | 175                   | Type:             | 1 x NPR (Standard) | BLACK      |       |
| Total Weight (kg ± 5%):   | 12.90                 | OTHERS            |                    |            |       |
| All figures show nominal values. Tolerances are according to EN50342 and applicable European Regulations. |                       | Degassing Tube:   | No                 |            |       |