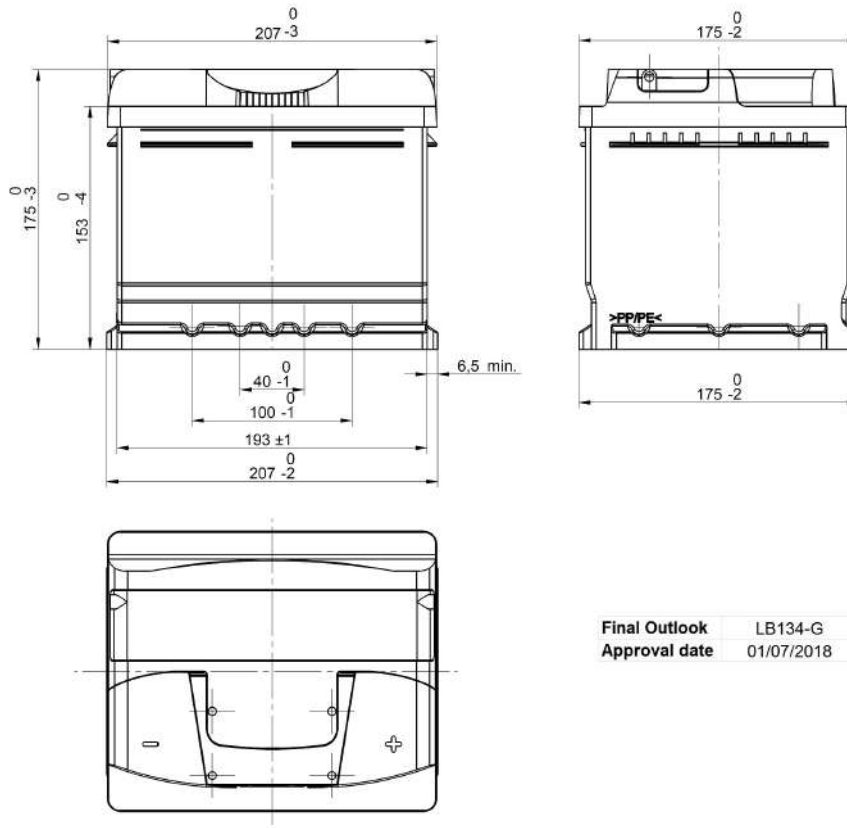


Central Article Code: LB1041C34-G
 Local Code: EB442

Created: 10/05/2018
 Modified: 31/07/2020



Final Outlook LB134-G
 Approval date 01/07/2018

| PERFORMANCES | | CONTAINER | | | |
|---|-----------------------|-------------------|--------------------|------------|-------|
| Voltage (V): | 12 V | Type: | LB1 | BLACK | |
| C20 (Ah): | 44.0 20 h | Hold Down: | B13 | | |
| Cranking (A): | 420 EN | H.D. Adapter: | No | | |
| Charge: | WET | COVER | | | |
| Technology: | Vented/Flooded | Type: | NPR | BLACK | |
| Grid: | Ca/Ca | Polarity: | ETN 0 | | |
| Vibration: | V1 (30Hz+/-2Hz/3g/2h) | Terminals: | EN taper post | | |
| Endurance: | E1 (180 cycles@25%) | Terminal Adapter: | No | | |
| STD. DIMENSIONS | | SOCI: | No | | |
| Length (mm ± 2): | 207 | Ventilation: | Central | | |
| Width (mm ± 2): | 175 | Filter: | 2 Filters | | |
| Height (mm ± 2): | 175 | Lateral Plug: | Standard shape | Right side | BLACK |
| Total Weight (kg ± 5%): | 10.60 | PLUGS | | | |
| All figures show nominal values. Tolerances are according to EN50342 and applicable European Regulations. | | Type: | 1 x NPR (Manifold) | BLACK | |
| | | HANDLES | | | |
| | | Type: | 1 x NPR (Standard) | BLACK | |
| | | OTHERS | | | |
| | | Degassing Tube: | No | | |